



STL179RB



STL178RCB



STL111RB



STL108RB

GloLight®

Stand Out

BETTER VALUE BETTER OPTIONS BETTER LIGHTING

You want it all: the most advanced technology to ensure reliability, innovative designs to improve visibility and safety, and a lifetime warranty that guarantees you won't be left in the dark.

You deserve better, and with Optronics that doesn't mean you have to pay more to get it.

optronics
BETTER VALUE • BETTER OPTIONS • BETTER LIGHTING

LIGHTING • TABLE OF CONTENTS

Federal Lighting Requirements.....	M-2
------------------------------------	-----

Stop, Tail & Turn Lights

4" Round Stop, Tail & Turn Lights	M-6
6" Oval Stop, Tail & Turn Lights	M-7
Under / Over 80" Traditional Stop, Tail & Turn Lights	M-8
Marine Stop, Tail & Turn Lights.....	M-8
Tow Light Kit - Magnetic Mount.....	M-8
Combination Truck Lights.....	M-9
Rectangular Truck Lights	M-9
Thinline Premiere Led Light Bars.....	M-9
Pedestal Mount Stop, Tail & Turn Lights	M-10
Tractor Lights.....	M-10
Round Stop, Tail & Turn Lights	M-10
Replacement Bulbs.....	M-10

Marker / Clearance Lights

3/4" Round Lights.....	M-11
2" Round Lights	M-11
2-1/2" Round Lights.....	M-11
Base Mount Mini-Thinline Lights	M-11
Base Mount Thinline Lights.....	M-12
Mini Sealed Lights.....	M-12
Stud Mount Lights	M-12
Surface Mount Lights	M-13
Fender Lights.....	M-14
Light Bars	M-15
Back Up Lights	M-16
License Plate Lights & License Plate Brackets.....	M-17
Utility Lighting	M-18
Led Light Bars.....	M-18
Work Lights	M-19
Dome Lights	M-19
Replacement Lens.....	M-20
Grommets	M-21
Pigtails.....	M-21
Light Bases.....	M-21
Light Brackets.....	M-22
Specialty Lighting	M-22
Flashing Strobe Light	M-22
Permit Holders.....	M-22
Warning Triangles	M-22
Tow Lighting	M-22
Replacment Bulbs.....	M-22
Reflectors	M-23
Conspicuity Reflective Tape	M-23

All diagrams, charts, illustrations and images are for representation only.

LIGHTING • LIGHTING REQUIREMENTS

TRAILERS: FEDERAL LIGHTING EQUIPMENT LOCATION REQUIREMENTS

Important note: every lamp, reflex reflector, and conspicuity treatment (device) must be permanently attached in the location specified below and must comply with all applicable requirements prescribed for it by fmvss/cmvss 108. The face of any device on the front/rear and sides should be, respectively perpendicular and parallel to vehicle centerline, unless it is photo metrically certified at installation angle. No part of the vehicle shall prevent any device from meeting its prescribed requirements unless an auxiliary device meeting all prescribed requirements is installed.

In Canada: manufacturers and importers of vehicles must have the proper certification test records demonstrating compliance of lighting components with all prescribed requirements.

BASIC EQUIPMENT REQUIRED ON ALL TRAILERS - WIDTH UNDER 80"						
DESCRIPTION				MANDATORY REQUIREMENTS		
AREA	EQUIPMENT	(SAE LENS CODING)	FUNCTIONAL PURPOSE	QUANTITY	LOCATION	HEIGHT MM (IN.) FROM THE GROUND
1	TAIL LAMPS	(T)	INDICATE VEHICLE'S PRESENCE AND WIDTH	MINIMUM 2	On the rear - symmetrical - as far apart as practicable	380-1830 (15-72)
	STOP LAMPS	(S)	INDICATE BRAKING	MINIMUM 2	On the rear - symmetrical - as far apart as practicable	380-1830 (15-72)
	REAR TURN SIGNAL LAMPS	(I)	INDICATE DIRECTION OF TURN	MINIMUM 2	On the rear - symmetrical - as far apart as practicable	380-2110 (15-83)
	REAR REFLEX REFLECTORS	(A)	INDICATE VEHICLE'S PRESENCE AND WIDTH	MINIMUM 2	On the rear - symmetrical - as far apart as practicable-facing rearward	380-1530 (15-60)
2	LICENSE PLATE LAMP(S)	(L)	ILLUMINATES LICENSE PLATE	MINIMUM 1	On the rear - above or at the sides of license plate	NO REQUIREMENT
3	REAR SIDE MARKER LAMPS	(P2,PC* OR P3, PC2*) *PHOTOMETRICALLY CERTIFIED AT INSTALLATION ANGLE	Front and rear side marker lamps / side reflex reflectors indicate vehicle's presence and length	MINIMUM 2	Each side at rear - as far back as practicable	380-1530 (15-60) NO MAX. FOR VEH. UNDER 2.032M(80") WIDE
	REAR SIDE REFLEX REFLECTORS	(A)		MINIMUM 2	Each side at rear - as far back as practicable facing sideward	380-1530 (15-60)
4a	FRONT SIDE MARKER LAMPS	(P2, PC* OR P3, PC2*) * PHOTOMETRICALLY CERTIFIED AT INSTALLATION ANGLE		MINIMUM 2	Each side at front - as far forward as practicable	380 (15) MINIMUM
4b	FRONT SIDE REFLEX REFLECTORS	(A)		MINIMUM 2	Each side at front - as far forward as practicable facing sideward	380-1530 (15-60)
ADDITIONAL EQUIPMENT FOR TRAILERS EXCEEDING THE FOLLOWING PARAMETERS LENGTH 9.1 M (30 FT.) OR LONGER						
DESCRIPTION				MANDATORY REQUIREMENTS		
AREA	EQUIPMENT	(SAE LENS CODING)	FUNCTIONAL PURPOSE	QUANTITY	LOCATION	HEIGHT MM (IN.) FROM THE GROUND
5a	INTERMEDIATE SIDE MARKER LAMPS	(P2 OR P3)	INDICATE PRESENCE OF A LONG VEHICLE	MINIMUM 2	Each side near center - facing sideward	380 (15) MINIMUM
5b	INTERMEDIATE SIDE REFLEX REFLECTORS	(A)		MINIMUM 2	Each side near center - facing sideward	380-1530 (15-60)

LIGHTING • LIGHTING REQUIREMENTS

WIDTH 2.032 M (80 IN.) OR WIDER						
		DESCRIPTION	MANDATORY REQUIREMENTS			
AREA	EQUIPMENT	(SAE LENS CODING)	FUNCTIONAL PURPOSE	QUANTITY	LOCATION	HEIGHT
6	REAR CLEARANCE LAMPS	(P2, PC*OR P3, PC2*) * Photometrically Certified At Installation Angle	Show Vehicle's Width - May Not Be Combined With Tail Lamps	MINIMUM 2	At Widest Point - Symmetrical - On The Rear Or Near The Rear - Facing Rearward	As High As Practicable - May Be Lower Only If Id Lamps Are At The Top
7	REAR IDENTIFICATION LAMPS	(P2 OR P3)	Indicate Presence Of A Wide Vehicle	EXACTLY 3	On The Rear - Center, Facing Rearward - Horizontally Spaced 150 Mm (6 In.) To 300 Mm (12 In.) Apart	In Canada : At The Top - Maybe Lower If Door Header Narrower Than 25 Mm In Usa: As High As Practicable
8	FRONT CLEARANCE LAMPS	(P2, PC*OR P3, PC2*) * Photometrically Certified At Installation Angle	Show Vehicle's Width	MINIMUM 2	At Widest Point - Symmetrical - As Far Forward As Practicable - Facing Forward	AS HIGH AS PRACTICABLE

WIDTH 2.032 M (80 IN.) OR WIDER AND GVWR 4536 KG (10,000 LB.) OR MORE							
		MANDATORY REQUIREMENTS					
AREA	CONSPICUITY TREATMENT	DOT CODING	QUANTITY	COLOR	LOCATION	HEIGHT	OPTIONS
9	REAR UPPER BODY MARKING	DOT-C, DOT-C2, DOT-C3, OR DOT-C4	EXACTLY 2 PAIRS OF 300MM LONG STRIPS	WHITE	On The Rear Upper Corners - Facing Rearward	At The Top	Reflex Reflectors May Not Be Required If They Are Replaced, In Their Required Location, With Conspicuity Treatment Optional In Canada Rear Lower Body And Side Conspicuity Treatment May Also Be Solid White, Solid Yellow, Or White And Yellow.
10	BUMPER BAR MARKING		CONTINUOUS	RED/WHITE	On The Rear Bumper Bar's Horizontal Element - Full Width - Facing Rearward	No Requirement	
11	REAR LOWER BODY MARKING		CONTINUOUS	RED/WHITE SEE OPTIONS	On The Rear - Full Width Of The Vehicle - Facing Rearward	As Horizontal As Practicable And As Close As Practicable To The Range Of 375 To 1525 Mm From The Ground	
5b	SIDE MARKING		SEE LOCATION	RED/WHITE SEE OPTIONS	Each Side - Facing Sideward - Continuous, Or Evenly Spaced Over Minimum Of 50% Of Length, Starts And Ends As Close To The Front And Rear Or Vehicle As Practicable	As Horizontal As Practicable And As Close As Practicable To The Range Of 375 To 1525 Mm From The Ground	

Note: This Information Is Provided As Guidance Only. Tex Trail Encourages All Of Our Customers To Check With Your Local And Federal Governing Agencies For Changes To This Guidance. State Or Provincial Regulations, Where They May Apply, Have Not Been Included.

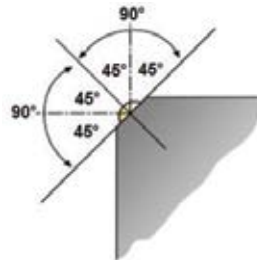
Note: This Table Summarizes Lighting Equipment Requirements Contained In Federal/Canada Motor Vehicle Safety Standard 108. For Complete Compliance Requirements Consult Title 49 - Code Of Federal Regulations-Section 571.108 (Usa) Or Section 108 Of The Motor Vehicle Safety Regulations (Canada).

What Exactly Does Pc-Rated Mean?

Comparing Pc-Rated Lights To Traditional Clearance And Sidemarker Lights

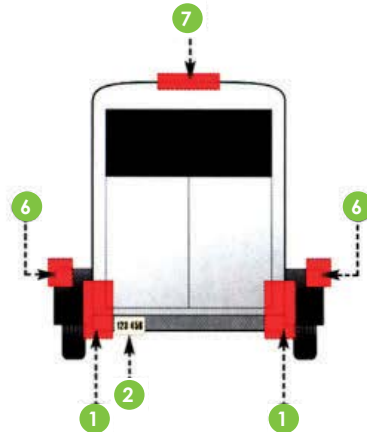
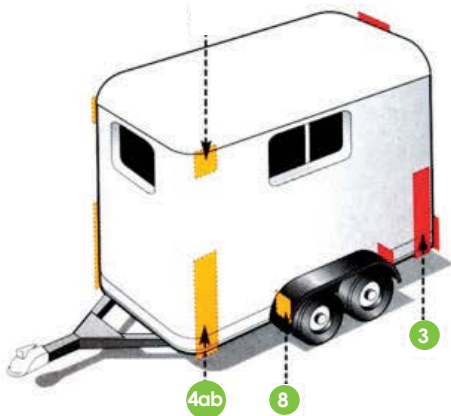
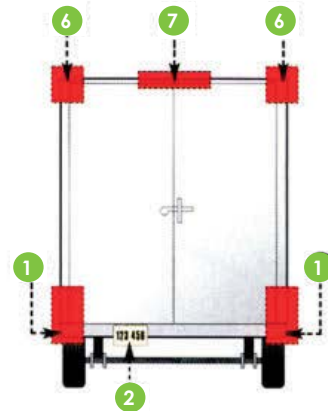
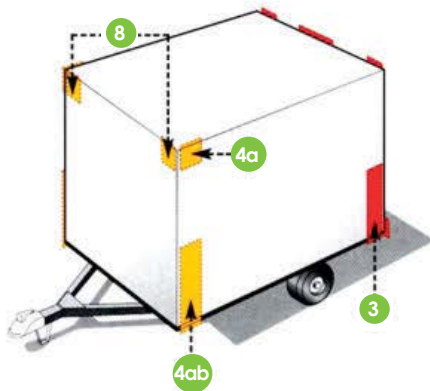
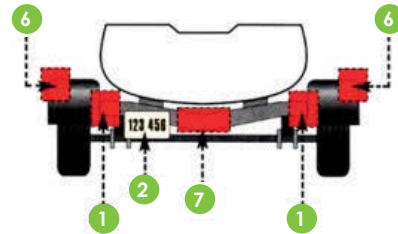
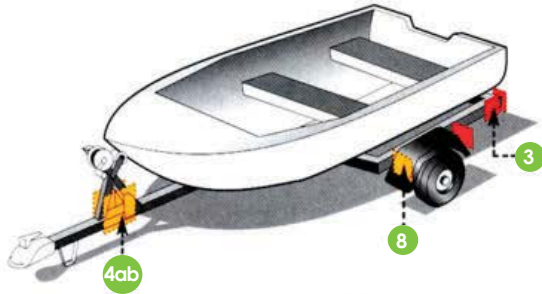
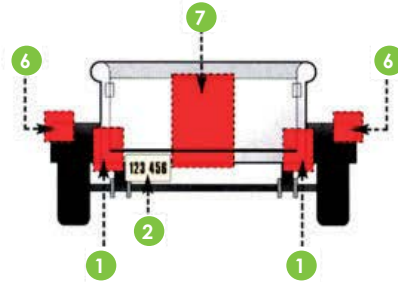
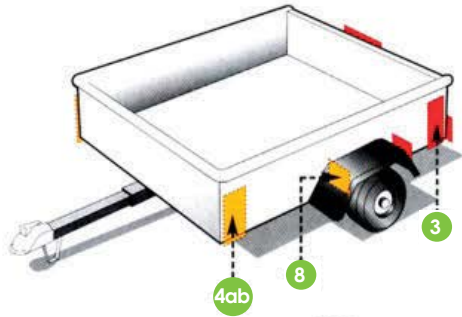


Must Produce 45° Angle Left And Right Of Center



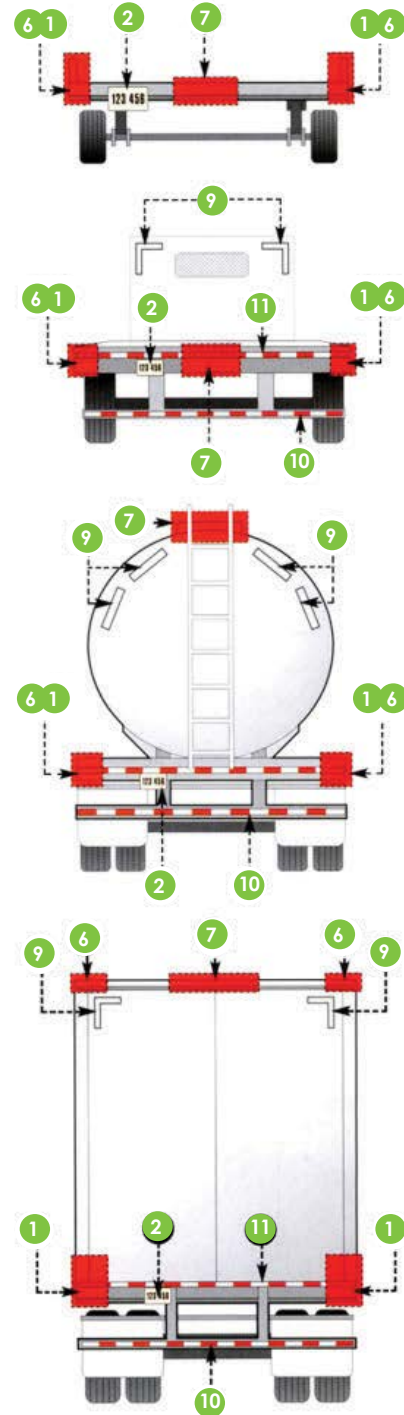
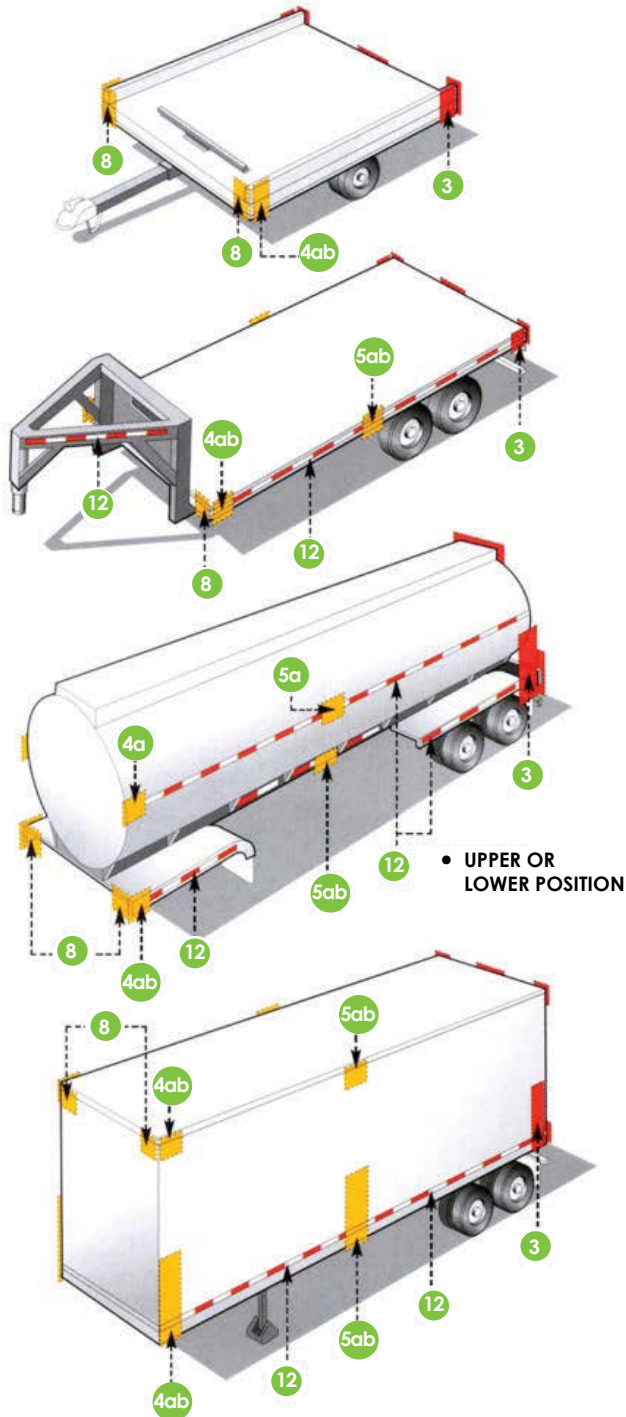
Pc-Rated Lamps Combine The Two Functions Of Clearance And Sidemarker Lights Into One.

LIGHTING • LIGHTING REQUIREMENTS =



LIGHTING • LIGHTING REQUIREMENTS

LIGHTING • LIGHTING REQUIREMENTS =



LIGHTING • STOP | TURN | TAIL LIGHTS •



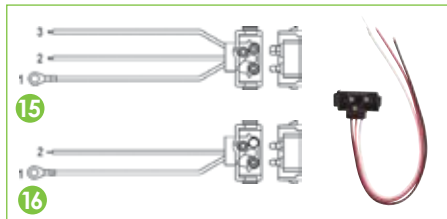
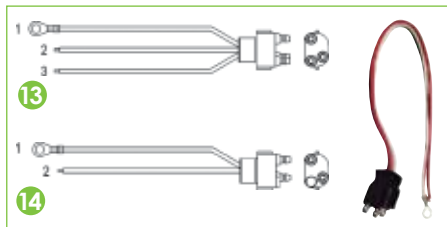
Light kits include:

- Light
- Grommet
- Pigtail

RED			4" ROUND GROMMET MOUNT			AMBER	
REF NO.	ITEM NO.	KIT NO.	DIODES	SERIES	DESCRIPTION	ITEM NO.	KIT NO.
1	8101081	-	1	STL003	LED "ONE"	-	-
2	8100648	8100648-02	7	STL13	LED "FLEET"	-	-
3	8100370	8100271	10	STL43	LED "PREMIERE"	8100276	8100329
4	8100610	8100611	12	STL23	LED "MIRO-FLEX"	8100650	-
5	8100940	-	21	STL101	LED "GLOLIGHT"	8101133	-
6	8100165	8100521	-	ST45	INCANDESCENT	-	8100080
7	8100471	-	-	ST46	INCANDESCENT-REFLEX	-	-



RED			4" ROUND FLANGE MOUNT		AMBER	
REF NO.	ITEM NO.	ID NO.	DIODES	DESCRIPTION	ITEM NO.	ID NO.
8	8100496	STL42RB	10	LED "PREMIERE"	8100483	STL42AB
9	8100985	STL101RFB	21	LED "GLOLIGHT"	-	-
10	8100798	ST47RB	-	INCANDESCENT	-	-
11	8100187	ST40RB	-	INCANDESCENT	-	-



ACCESSORIES

REF NO.	ITEM NO.	ID NO.	DESCRIPTION
12	8100430	A45GB	PVC GROMMET FOR 4" FLUSH MOUNT
13	8100388	A45PB	STRAIGHT PL-3 PIGTAIL 10"
14	8100403	A45CB	STRAIGHT 2-WIRE PIGTAIL 10"
15	8100532	A47PB	RIGHT ANGLE PL-3 PIGTAIL 10"
16	8100404	A49PB	RIGHT ANGLE 2-WIRE PIGTAIL 10"
17	8100142	BK45BB	STEEL MOUNTING BRACKET 4"
18	8100107	A45CGB	PVC TRIM RING FOR GROMMET MOUNT 4"
19	8101425	-	LED FLASH RESISTOR 12V / 50W / 6Ω



Simple, Effective System Builds Resistance That Corrects Flash Timing, Thereby Preventing The "Hyperflash" Phenomenon Or Burned-Out Bulb Indicators On Turn Signals With Led Lights. One Resistor Is Required For Each Led Bulb Used In Turn Signal Applications. PL-3 Connections - No Splicing Necessary!

LIGHTING • STOP | TURN | TAIL LIGHTS •



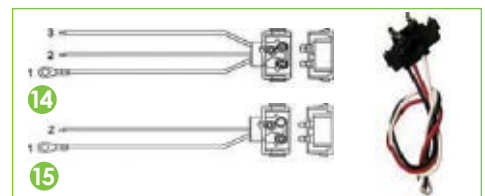
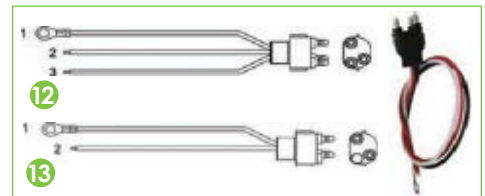
RED			6" OVAL GROMMET MOUNT			AMBER	
REF NO.	ITEM NO.	KIT NO.	DIODES	SERIES	DESCRIPTION	ITEM NO.	KIT NO.
1	8101078	-	1	STL002	LED "ONE"	8101080	-
2	8100627	8100627-02	6	STL12	LED "FLEET"	-	-
3	8100367	8100367-02	10	STL72	LED "PREMIERE"	8100482	8100482-02
4	8100662	-	10	STL82	LED "PREMIERE" CLR	-	-
5	8100557	8100654	12	STL22	LED "MIRO-FLEX"	8100649	-
6	8100939	-	22	STL111	LED "GLOLIGHT"	-	-
8	8100386	8100445	-	ST70	INCANDESCENT	-	8100176
7	-	-	9	STL75	LED MIDSHIP	8100002	-
-	-	-	-	ST75	INCANDESCENT MIDSHIP	8100183	-

All Kit No.s Above Include: Light, Grommet & Pigtail

RED			6" OVAL FLANGE MOUNT		AMBER	
REF NO.	ITEM NO.	ID NO.	DIODES	DESCRIPTION	ITEM NO.	ID NO.
9	8100651	STL73RB	6	LED "FLEET"	-	-
10	8100372	STL78RB	10	LED "PREMIERE"	8100526	STL78AB



ACCESSORIES			
REF NO.	ITEM NO.	ID NO.	DESCRIPTION
11	8100387	A70GB	PVC GROMMET FOR 6" FLUSH MOUNT
12	8100388	A45PB	STRAIGHT PL-3 PIGTAIL 10"
13	8100403	A45CB	STRAIGHT 2-WIRE PIGTAIL 10"
14	8100532	A47PB	RIGHT ANGLE PL-3 PIGTAIL 10"
15	8100404	A49PB	RIGHT ANGLE 2-WIRE PIGTAIL 10"
16	8100143	BK70BB	STEEL MOUNTING BRACKET 6" OVAL
17	8100451	A78CB1	PVC TRIM RING FOR FLANGE MOUNT 6" OVAL
18	8101425	-	LED FLASH RESISTOR 12V / 50W / 6Ω



Simple, Effective System Builds Resistance That Corrects Flash Timing, Thereby Preventing The "Hyperflash" Phenomenon Or Burned-Out Bulb Indicators On Turn Signals With Led Lights. One Resistor Is Required For Each Led Bulb Used In Turn Signal Applications. PI-3 Connections - No Splicing Necessary!



LIGHTING • STOP | TURN | TAIL LIGHTS •



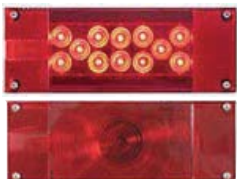
DRIVER SIDE • 7-FUNCTION			UNDER 80" STUD MOUNT		PASSENGER SIDE • 6-FUNCTION	
REF NO.	ITEM NO.	ID NO.	DIODES	DESCRIPTION	ITEM NO.	ID NO.
1	8101083	STL009RB	1	LED "ONE"	8101082	STL008RB
2	8100369	STL9RB	14 / 11	LED "PREMIERE"	8100368	STL8RB
3	8100478	ST9RB	-	INCANDESCENT	8100477	ST8RB
4	8100766	ST7RB	-	SUBMERSIBLE	8100765	ST6RB



DRIVER SIDE • 7-FUNCTION			OVER 80" STUD MOUNT		PASSENGER SIDE • 6-FUNCTION	
REF NO.	ITEM NO.	ID NO.	DIODES	DESCRIPTION	ITEM NO.	ID NO.
5	8100366	STL3RB	21 / 18	LED "PREMIERE"	8100365	STL2RB
6	8100390	ST3RB	-	INCANDESCENT	8100389	ST2RB
7	8100191	ST5RB	-	SUBMERSIBLE	8100170	ST4RB



ACCESSORIES			
REF NO.	ITEM NO.	ID NO.	DESCRIPTION
8	8100151	A8RB	REPLACEMENT LENS INCANDESCENT
9	8100481	AL8RB	REPLACEMENT LENS LED "PREMIERE"
10	8100156	A9RB	SIDE MARKER LIGHT LENS UNDER 80"
11	8100063	A2RB	SIDE MARKER LIGHT LENS OVER 80"
12	8100026	1157	BULB 12V BAYONET DUAL FILAMENTS
13	8100025	194	BULB 12V WEDGE



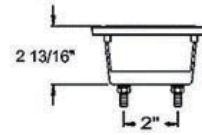
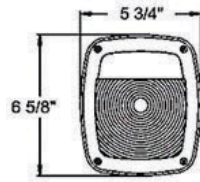
DRIVER SIDE • 7-FUNCTION			RECTANGLE MARINE		PASSENGER SIDE • 6-FUNCTION	
REF NO.	ITEM NO.	ID NO.	DIODES	DESCRIPTION	ITEM NO.	ID NO.
14	8100518	STL17RB	22 / 18	LED "PREMIERE"	8100517	STL16RB
15	8100195	ST17RB	-	INCANDESCENT	8100196	ST16RB



- Kit Includes:
- Passenger side light
 - Driver side light
 - Amber marker light w/ reflex (2ea)
 - License plate bracket
 - 20' Harness (8100118 kit)
 - 25' Harness (8100120 kit)

LIGHT KIT NO.S			
REF NO.	ITEM NO.	ID NO.	DESCRIPTION
16	8100118	TL27BK	INCANDESCENT 20' HARNESS UNDER 80"
-	8100120	TL29BK	INCANDESCENT 25' HARNESS UNDER 80"
17	8100197	TL21RK	TOW KIT NO. MAGNETIC MOUNT 25' HARNESS

LIGHTING • STOP | TURN | TAIL LIGHTS



DRIVER SIDE • 7-FUNCTION			COMBINATION TRUCK LIGHT		REPLACEMENT PARTS		
REF NO.	ITEM NO.	ID NO.	DIODES	DESCRIPTION	ITEM NO.	ID NO.	DESCRIPTION
1	8100546	ST60RB	-	INCANDESCENT	8100029	1156	BULB 12V BAYONET
						2057	BULB 12V BAYONET



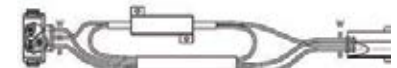
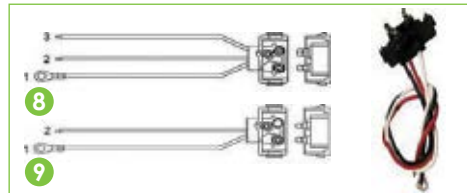
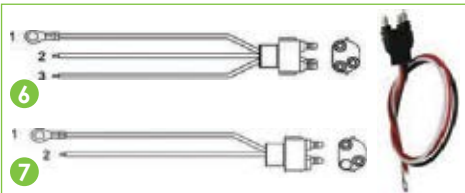
RED				RECTANGULAR TRUCK LIGHT		AMBER	
REF NO.	ITEM NO.	ID NO.	KIT NO.	DIODES	DESCRIPTION	ITEM NO.	ID NO.
2	8100519	STL33RB	8100522	12	LED "PREMIERE"	-	-
3	8100563	STL35RB	-	16	LED "MIRO-FLEX"	8100534	STL35AB
4	8100533	ST33RB	8100402	-	INCANDESCENT	8100525	ST33AB

ACCESSORIES

REF NO.	ITEM NO.	ID NO.	DESCRIPTION
5	8100523	A33GB	PVC GROMMET FOR 6" RECTANGLE FLUSH MOUNT
6	8100388	A45PB	STRAIGHT PL-3 PIGTAIL 10"
7	8100403	A45CB	STRAIGHT 2-WIRE PIGTAIL 10"
8	8100532	A47PB	RIGHT ANGLE PL-3 PIGTAIL 10"
9	8100404	A49PB	RIGHT ANGLE 2-WIRE PIGTAIL 10"
10	8101425	-	LED FLASH RESISTOR 12V / 50W / 6Ω



Simple, Effective System Builds Resistance That Corrects Flash Timing, Thereby Preventing The "Hyperflash" Phenomenon Or Burned-Out Bulb Indicators On Turn Signals With Led Lights. One Resistor Is Required For Each Led Bulb Used In Turn Signal Applications. PI-3 Connections - No Splicing Necessary!



11 - Diodes



11 - Diodes



11 - Diodes

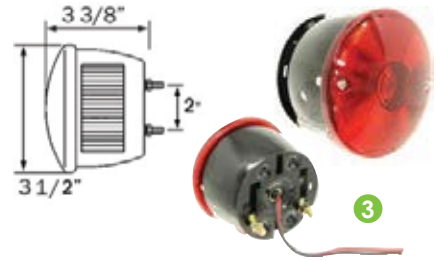
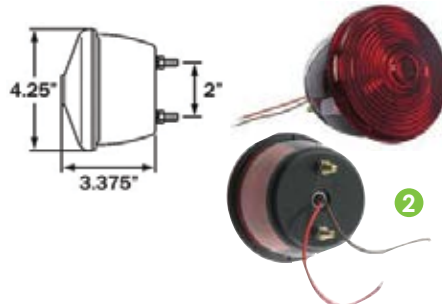
THINLINE			
REF NO.	ITEM NO.	ID NO.	DESCRIPTION
11	8100571	STL69RB	LED "PREMIERE" THINLINE 14-1/8"
12	8100237	STL79RB	LED "PREMIERE" THINLINE 16-1/8"
13	8100493	STL89RCB	LED "PREMIERE" THINLINE 16-1/8" CLR
14	8100371	STL76RB	LED "PREMIERE" THINLINE 13"



11 - Diodes



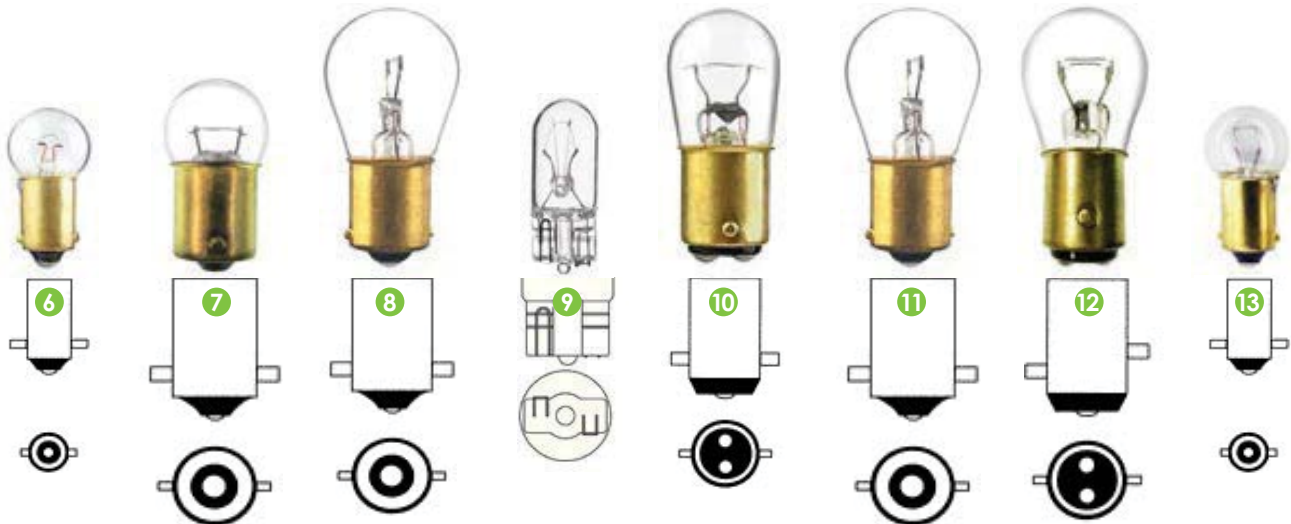
LIGHTING • MISC. OTHER LIGHTS =



DRIVER SIDE • 7-FUNCTION			ROUND STOP TURN TAIL		PASSENGER SIDE • 6-FUNCTION	
REF NO.	ITEM NO.	ID NO.	DIODES	DESCRIPTION	ITEM NO.	ID NO.
1	8101378	ST15022	18	LED "PREMIERE"	8101377	ST15021
2	8100509	ST25RB	-	INCANDESCENT/STUD	8100520	ST24RB
3	8101405	ST21RS	-	INCANDESCENT/SURFACE	8101404	ST20RS



PEDESTAL MOUNT • STOP TURN TAIL			
REF NO.	ITEM NO.	ID NO.	DESCRIPTION
4	8100145	ST51RS	RED - STOP/TURN/TAIL
5	8100845	ST52RA	DUAL FACE AMBER / RED



BULBS								
REF NO.	ITEM NO.	ID NO.	DESCRIPTION	LENGTH	DIA.	BASE	AVG LIFE	
6	8100410	57	BAYONET 14V .24 AMP 25 LUMEN	1.07"	.59"	BA9S	500 HRS	
7	8100413	67	BAYONET 13.5V .59 AMP 50 LUMEN	1.44"	.75"	BA15S	5000 HRS	
8	8100412	93	BAYONET 12.8V 1 AMP 190 LUMEN	2"	1.04"	BA15S	700 HRS	
9	8100025	194	WEDGE 14V .27 AMP 25 LUMEN	1.06"	.40"	T3.25	2500 HRS	
10	8100021	1004	BAYONET 12.8V .94 AMPS 190 LUMEN	1.75"	.75"	BA15D	200 HRS	
11	8100029	1156	BAYONET 12.8V 2.1 AMP 400 LUMEN	2"	1.04"	BA15S	1200 HRS	
12	8100026	1157	BAYONET12.8/14V 2.1 AMP	2"	1.04"	BAY15D	1200 HRS	
13	8100201	1895	BAYONET 14V .27 AMP 25 LUMEN	1.06"	.55"	BA9S	2000 HRS	

= LIGHTING • MISC. OTHER LIGHTS

LIGHTING • MARKER | CLEARANCE LIGHTS



RED			3/4" ROUND			AMBER	
REF NO.	ITEM NO.	ID NO.	DIODES	DESCRIPTION	ITEM NO.	ID NO.	
1	8100635	MCL11RKB	2	LED "PREMIERE"	8100634	MCL11AKB	
1	8100816	MCL11CRKB	2	LED "PREMIERE" CLEAR LENS	8100815	MCL11CAKB	



RED			2" ROUND			AMBER	
REF NO.	ITEM NO.	KIT NO.	DIODES	SERIES	DESCRIPTION	ITEM NO.	KIT NO.
2	8100597	8100597-02	1	MCL56	LED "FLEET"	8100596	8100596-02
3	8100378	8100378-02	3	MCL55	LED "PREMIERE"	8100377	8100377-02
4	-	-	5	-	LED "PREMIERE" P2PC	8100824	-
5	8100603	-	9	MCL50	LED "MIRO-FLEX"	8100535	-
6	8100381	8100381-02	-	MC53	INCANDESCENT	8100380	8100380-02



RED			2-1/2" ROUND			AMBER*	
REF NO.	ITEM NO.	KIT NO.	DIODES	SERIES	DESCRIPTION	ITEM NO.	KIT NO.
7	8100640	8100640-02	2	MCL527	LED "FLEET"	8100641	8100641-02
8	8100513	8100621	3	MCL57	LED "PREMIERE"	8100514	8100618
9	8100488	-	9	MCL51	LED "MIRO-FLEX"	8100602	-
10	8100502	-	-	MC55	INCANDESCENT PC	8100501	-
11	8100459	8100620	-	MC57	INCANDESCENT	8100458	8100617

ACCESSORIES							
REF NO.	ITEM NO.	ID NO.	KIT NO.	DESCRIPTION			
12	8100382	A54GB	8100049	FLUSH MOUNT GROMMET 2"			
13	8100457	A55GB	8100204	OPEN BACK FLUSH MOUNT 2.5"			
14	8101118	A57GB	8100249	OPEN BACK RECESS MOUNT 2.5"			
15	8100383	A46PB	-	2-PIN PLUG W/ 6" LEAD #10 GROUND			



Grommet Kit No.s Include 8100383 Lead



RED			MINI THINLINE - BASE MOUNT			AMBER	
REF NO.	ITEM NO.	KIT NO.	DIODES	SERIES	DESCRIPTION	ITEM NO.	KIT NO.
16	8100593	-	1	AL90	LED "FLEET"	8100594	-
17	8100461	8100362	3	AL91	LED "PREMIERE"	8100460	8100431
18	8100609	8100392	3	AL191	LED "MIRO-FLEX"	8100608	8100524
19	8100105	8100448	-	A91	INCANDESCENT	8100104	8100391

ACCESSORIES			
REF NO.	ITEM NO.	ID NO.	DESCRIPTION
20	8100018	A91CB	CHROME BASE - SELF GROUNDING
21	8100017	A91OB	CHROME BASE - OPEN BACK
22	8100463	A91BB	BLACK BASE - SELF GROUNDING
23	8100048	150-18	GROMMET
24	8100001	A91LW	1-WIRE PLUG - 12" LEAD
15	8100383	A46PB	2-WIRE PLUG - 6" LEAD



LIGHTING • MARKER | CLEARANCE LIGHTS

LIGHTING • MARKER | CLEARANCE LIGHTS



RED			THINLINE • BASE MOUNT			AMBER	
REF NO.	ITEM NO.	ID NO.	DIODES	SERIES	DESCRIPTION	ITEM NO.	KIT NO.
1	8100645	-	2	MCL61	LED "FLEET"	8100644	8100644-02
2	8100453	8100472	3	MCL65	LED "PREMIERE"	8100452	-
-	8100013	-	4	MCL75	LED "PREMIERE"	8100011	-
3	8100005	-	6	MCL65C	LED "PREMIERE" CLEAR	8100004	-
4	8100605	-	4	MCL63	LED "MIRO-FLEX"	8100604	-
5	8100738	-	4	MCL63C	LED "MIRO-FLEX" CLEAR	8100737	-
6	8100174	-	-	MC65	INCANDESCENT	8100175	-



ACCESSORIES			
REF NO.	ITEM NO.	ID NO.	DESCRIPTION
7	8100015	A65PB	BLACK BRACKET & SINGLE WIRE PLUG
8	8100031	A65BPG	BLACK BRACKET & SINGLE WIRE .180 BULLET PLUG
9	8100285	A67CB	CHROME BRACKET & SINGLE WIRE WITH 12" LEAD



RED			MINI SEALED		AMBER	
REF NO.	ITEM NO.	ID NO.	DIODES	DESCRIPTION	ITEM NO.	ID NO.
10	8100277	MCL13R2B	2	LED "PREMIERE"	8100278	MCL13A2B
11	8100511	MCL13CR2B	2	LED "PREMIERE" CLEAR	8100510	MCL13CA2B



ACCESSORIES			
REF NO.	ITEM NO.	ID NO.	DESCRIPTION
12	8100030	A13C2B	CHROME BASE / BEZEL
13	8100280	A13G2B	GASKET



RED			STUD MOUNT			AMBER	
REF NO.	ITEM NO.	ID NO.	NO. WIRES	DIODES	DESCRIPTION	ITEM NO.	ID NO.
14	8100484	MCL36RB	2	6	LED REFLEX	8100359	MCL36AB
15	8100444	MC36RB	1	2	INCANDESCENT REFLEX	8100443	MC36AB
16	-	-	1	2	INCANDESCENT REFLEX	8100379	MC37AB



ACCESSORIES			
REF NO.	ITEM NO.	ID NO.	DESCRIPTION
17	8100998	A36AB	REPLACEMENT LENS FOR 8100443
18	8100025	194	BULB 12V WEDGE (EACH) BOX QTY. 10

LIGHTING • MARKER | CLEARANCE LIGHTS



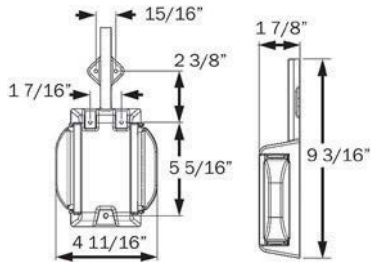
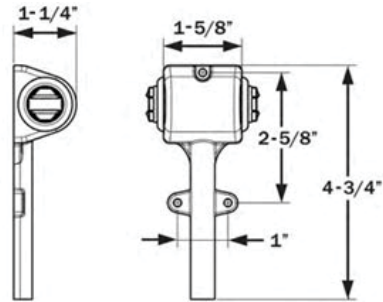
RED			SURFACE MOUNT			AMBER	
REF NO.	ITEM NO.	ID NO.	DIODES	DESCRIPTION	NO. WIRE	ITEM NO.	ID NO.
19	8100601	MCL17RB	3	LED "MIRO-FLEX"	2	8100600	MCL17AB
20	8100720	MCL17CRB	3	LED "MIRO-FLEX" CLEAR	2	8100719	MCL17CAB
-	8100637	MCL19CRB	4	LED "MIRO-FLEX"	2	8100636	MCL19CAB
21	8100376	MCL31RB	6	LED "PREMIERE"	2	8100375	MCL31AB
22	8100560	MCL44RB	6	LED "PREMIERE"	2	8100559	MCL44AB
23	8100199	MCL44RB1	6	LED "PREMIERE"	1	8100265	MCL44AB1
24	8100486	MCL45RB	10	LED "PREMIERE" WHITE BASE	1	8100485	MCL45AB
25	8100802	MCL81RB	6	LED "PREMIERE"	2	8100803	MCL81AB
26	8100529	MCL86RB	6	LED "PREMIERE"	2	8100530	MCL86AB
27	8100498	MC38RB	-	INCANDESCENT	1	8100497	MC38AB
28	8100500	MC42RB	-	INCANDESCENT BLACK BASE	1	8100499	MC42AB
29	8100436	MC44RB	-	INCANDESCENT	2	8100437	MC44AB
30	8100433	MC66RB	-	INCANDESCENT	2	8100432	MC66AB
31	8100293	MC68RB	-	INCANDESCENT	1	8100292	MC68AB
32	8100099	MC81RB	-	INCANDESCENT	1	8100098	MC81AB
33	8100153	119R	-	INCANDESCENT	1	8100081	119A

ACCESSORIES

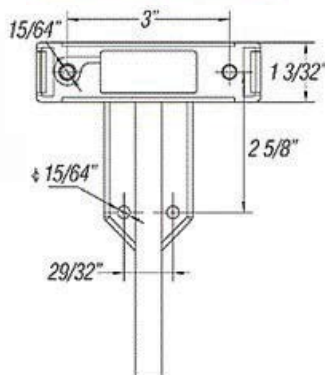
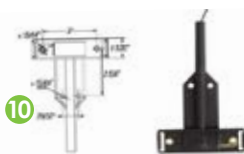
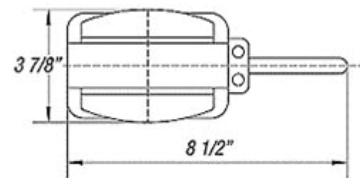
REF NO.	ITEM NO.	ID NO.	DESCRIPTION
34	8100025	194	BULB 12V WEDGE (EACH) BOX QTY 10



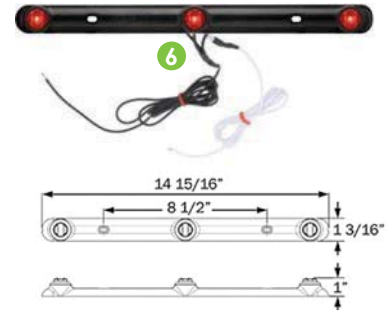
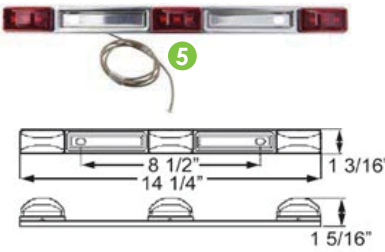
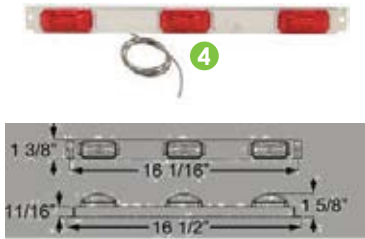
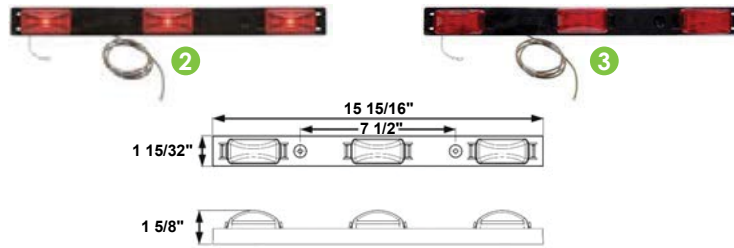
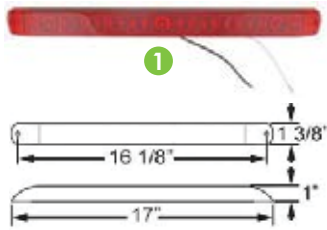
LIGHTING • MARKER | CLEARANCE LIGHTS •



DRIVER • LEFT SIDE			STUD MOUNT		PASSENGER • RIGHT SIDE		
REF NO.	ITEM NO.	ID NO.	DIODES	DESCRIPTION	REF NO.	ITEM NO.	ID NO.
1	8100888	MCL12ARLB	2	LED "PREMIERE"	2	8100889	MC12ARRB
3	8100228	BA65ARLB	-	INCANDESCENT	4	8100229	BA65ARRB
5	8100232	BA44FNL	-	INCANDESCENT	6	8100233	BA44FNR
7	8100646	MCL61ARB	2	LED "FLEET"	-	-	-
8	8100454	MCL65ARB	6	LED "PREMIERE"	-	-	-
9	8100157	MC65ARB	-	INCANDESCENT	-	-	-
10	8100811	A67BB	-	BRACKET SINGLE WIRE BLK	-	-	-



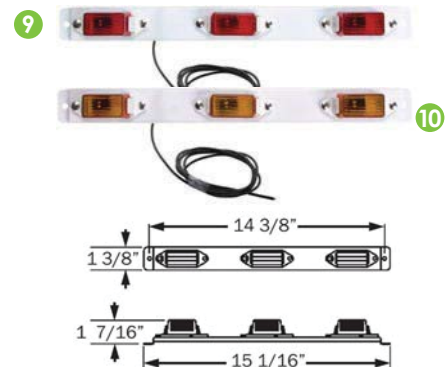
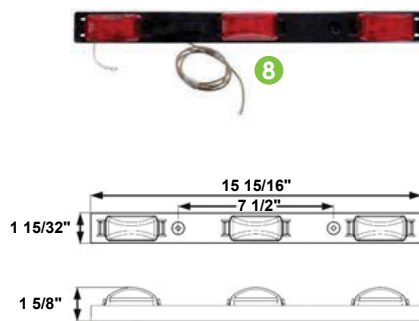
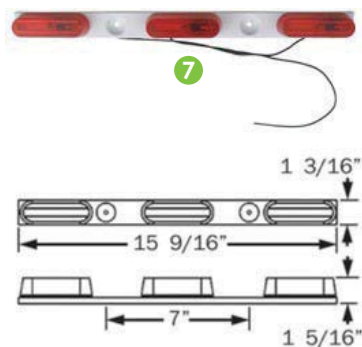
LIGHTING • MARKER | CLEARANCE LIGHTS



LED LIFETIME WARRANTY
NO BULBS TO REPLACE EVER!

RED			SURFACE MOUNT		REPLACEMENT	
REF NO.	ITEM NO.	ID NO.	DIODES	DESCRIPTION	BASE	LENS / LIGHT
1	8100490	MCL78RB	3	LED "PREMIERE" SEALED 2-WIRE	POLYCARBONATE	-
2	8100628	MCL83RB	3	LED "FLEET" SEALED 2-WIRE	POLYCARBONATE	8100593
3	8100363	MCL93RB	9	LED "PREMIERE" SEALED 2-WIRE	POLYCARBONATE	8100461
4	8100489	MCL84RB	9	LED "PREMIERE" SEALED 2-WIRE	STAINLESS STEEL	8100461
5	8100428	MCL97RB	9	LED "PREMIERE" SELF-GROUNDING	STAINLESS STEEL	-
6	8100887	MCL922RB	3	LED "PREMIERE" SEALED 2-WIRE	POLYCARBONATE	8100635
7	8100396	MC77RB	-	INCANDESCENT SELF-GROUNDING	STEEL / WHITE	8100401
8	8100294	MC93RB	-	INCANDESCENT SEALED 2-WIRE	POLYCARBONATE	8100105
9	8100135	MC99RB	-	INCANDESCENT SELF-GROUNDING	STEEL / WHITE	8100141

AMBER			SURFACE MOUNT		REPLACEMENT	
REF NO.	ITEM NO.	ID NO.	DIODES	DESCRIPTION	BASE	LENS / LIGHT
10	8100134	MC99AB	-	INCANDESCENT SELF-GROUNDING	STEEL / WHITE	8100140



LIGHTING • BACK UP LIGHTS



DOT COMPLIANT				4" ROUND BACK UP LIGHT
REF NO.	ITEM NO.	ID NO.	DIODES	DESCRIPTION
1	8101084	BUL06CB	6	LED DOT "FLEET"
2	8100255	BU45CB	-	INCANDESCENT DOT



DOT COMPLIANT				6" OVAL BACK UP LIGHT
REF NO.	ITEM NO.	ID NO.	DIODES	DESCRIPTION
3	8101085	BUL12CB	6	LED DOT "FLEET"
4	8100657	BUL10CB	10	LED DOT "PREMIERE"
5	8100465	BU70CB	-	INCANDESCENT DOT
6	8100136	BU74CB	-	8100465 WITH GROMMET & PIGTAIL
3	8101203	BUL111CB	22	LED DOT "GLOLIGHT"

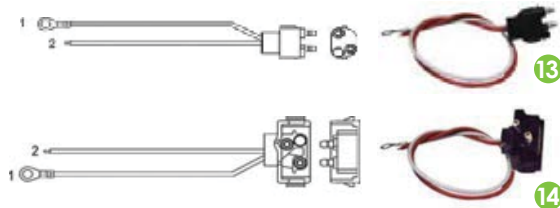


DOT COMPLIANT				6" OVAL FLANGE MOUNT BACK UP LIGHT
REF NO.	ITEM NO.	ID NO.	DIODES	DESCRIPTION
7	8100373	BUL78CB	10	LED DOT "PREMIERE"



DOT COMPLIANT				RECTANGULAR BACK UP LIGHT
REF NO.	ITEM NO.	ID NO.	DIODES	DESCRIPTION
8	8100827	BUL35CB	16	LED DOT "PREMIERE"
9	8100527*	BU33CB	-	INCANDESCENT DOT

* Discontinued, Available While Supplies Last.

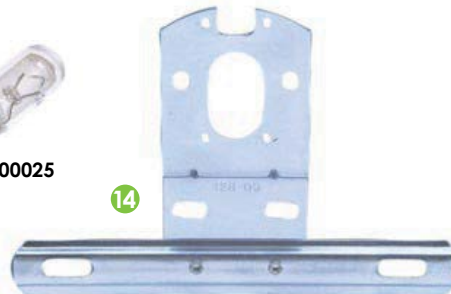
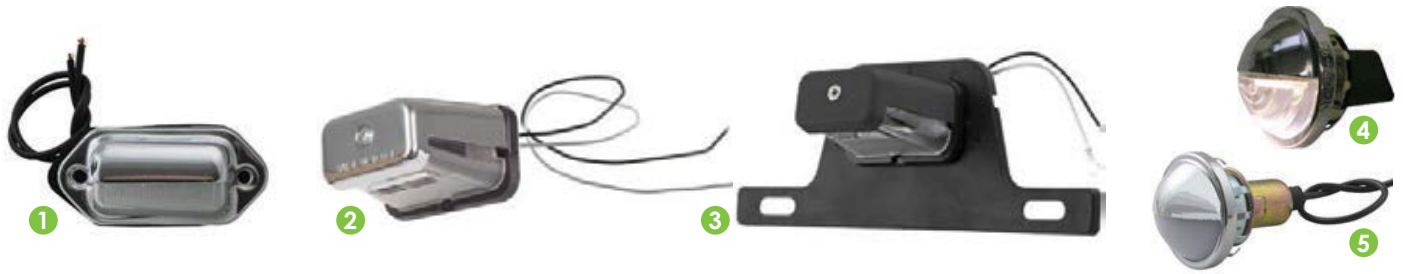


ACCESSORIES				
REF NO.	ITEM NO.	ID NO.	DESCRIPTION	
10	8100430	A45GB	PVC GROMMET FOR 4" ROUND	
11	8100387	A70GB	PVC GROMMET 6" OVAL	
12	8100523	A33GB	PVC GROMMET RECTANGLE	
13	8100403	A45CB	STRAIGHT 2-WIRE PIGTAIL 10"	
14	8100404	A49PB	RIGHT ANGLE 2-WIRE PIGTAIL 10"	
15	8100142	BK45BB	STEEL MOUNTING BRACKET 4" ROUND	
16	8100143	BK70BB	STEEL MOUNTING BRACKET 6" OVAL	
17	8100107	A45CGB	PVC TRIM RING 4" GROMMET MOUNT	
18	8100451	A78CB1	PVC TRIM RING FOR FLANGE MOUNT	



LIGHTING • BACK UP LIGHTS

LIGHTING • LICENSE PLATE LIGHTS =



LICENSE PLATE LIGHTS

REF NO.	ITEM NO.	ID NO.	DIODES	DESCRIPTION	BULB
1	8100364	LPL31CB	2	LED MINI 2-WIRE	-
2	8100495	LPL41CB	5	LED SURFACE MOUNT 2-WIRE	-
3	8100973	LPL55CB	5	LED WITH BRACKET 2-WIRE	-
4	8100632	LPL11CB	-	LED SNAP IN MINI	-
5	8100185	LP11CB	-	INCANDESCENT SNAP-IN MINI 1-WIRE	8100413
6	8100090	LP21CB	-	INCANDESCENT HEAVY DUTY 1-WIRE	8100413
7	8100385	LP31CB	-	INCANDESCENT MINI 2-WIRE	8100025
8	8100506	LP51CB	-	INCANDESCENT SURFACE MOUNT 2-WIRE	8100025
9	8100254	LP52CB	-	INCANDESCENT WITH BRACKET 1-WIRE	8100025
10	8100259	LP71CB	-	INCANDESCENT CHROME 1-WIRE	8100413
11	8100734	LP52HP	-	LICENSE PLATE HARDWARE KIT NO.	-
12	8100693	LP35BB	-	LICENSE PLATE HOLDER CARGO TRAILER	-
13	8100231	LP5SB	-	LICENSE PLATE HOLDER BLACK ABS	-
14	8100384	B428-09	-	LICENSE PLATE HOLDER ZINC	-
15	8100735	LP81BB	-	INCANDESCENT LICENSE PLATE, SURFACE MOUNT	8100025

LIGHTING • UTILITY & WORK LIGHTS

Utility Lights



4" ROUND GROMMET MOUNT

ITEM NO.	ID NO.	DIODES	DESCRIPTION
8100020	BUL43CB	10	LED "PREMIERE"

6" OVAL GROMMET MOUNT

ITEM NO.	ID NO.	DIODES	DESCRIPTION
8100374	BUL72CB	10	LED "PREMIERE"
8100374-02	BUL72CKB	10	8100374 WITH GROMMET & PIGTAIL

6" OVAL FLANGE MOUNT

ITEM NO.	ID NO.	DIODES	DESCRIPTION
8100373	BUL78CB	10	LED "PREMIERE"

ACCESSORIES

REF NO.	ITEM NO.	ID NO.	DESCRIPTION
1	8100430	A45GB	PVC GROMMET FOR 4" ROUND
2	8100387	A70GB	PVC GROMMET 6" OVAL
-	8100403	A45CB	STRAIGHT 2-WIRE PIGTAIL 10"
-	8100404	A49PB	RIGHT ANGLE 2-WIRE PIGTAIL 10"
3	8100142	BK45BB	STEEL MOUNTING BRACKET 4" ROUND
4	8100143	BK70BB	STEEL MOUNTING BRACKET 6" OVAL
-	8100107	A45CGB	PVC TRIM RING 4" GROMMET MOUNT



Work Lights



LED LIGHT BARS

REF NO.	ITEM NO.	ID NO.	DIODES	DESCRIPTION	LENGTH	HEIGHT	OPTIONAL SIDE MOUNT BRACKETS
5	8101035	LB75	6	SINGLE ROW 18W 1350 LUMEN	7.87"	3.38"	8101174
6	8101177	LB77	18	SINGLE ROW 54W 4050 LUMEN	21.10"	3.38"	8101174
7	8101178	LB90	18	SINGLE ROW 90W 8100 LUMEN COMBO	30"	2.25"	-
8	8101230	LB78	6	DOUBLE ROW 18W 1350 LUMEN	4.57"	4.64"	8101174
9	8101179	LB79	12	DOUBLE ROW 36W 2700 LUMEN	7.87"	4.64"	8101174
10	8101183	LB93	40	DOUBLE ROW 120W 8800 LUMEN COMBO	21.5"	3.4"	-
11	8101182	LB97	48	DOUBLE ROW 144W 10800 LUMEN COMBO	33"	5"	-



PORTABLE POWERHOUSE



Emergency Power Source Item Number 7001177

- Multi-Use Jump Starter / Charger
- Multiple Electronics Safety Protection
- Jumps starts all 12V Vehicles
- High Capacity battery technology
- Charges all current popular mobile phones
- 13600mAH
- Touch pads, and Mini-versions
- 15V/1A 14 Total
- Cameras & Action Cams
- Emergency Flasher add feature
- Multiple Charging Modes
- 5V/12V/16V/19V Out Volts
- Jump start a car 30x's without a re-charge
- Flashlight
- Small, light-weight, and portable
- 300A Starting Current
- High power flash light / Emergency Strobe
- 600A Peak Current



8101370



BETTER LIGHTING BETTER OPTIONS BETTER VALUE

You want it all:

the most advanced technology to ensure reliability, innovative designs to improve visibility and safety, and a lifetime warranty that guarantees you won't be left in the dark. You deserve better, and with Optronics that doesn't mean you have to pay more to get it.



www.optronicsinc.com

LIGHTING • WORK & DOME LIGHTS =



WORK LIGHTS							
REF NO.	ITEM NO.	ID NO.	DIODES	DESCRIPTION	LENGTH	HEIGHT	DEPTH
1	8101186	WL83	9	LED WORK LIGHT 27W 2025 LUMEN	4.6"	4.2"	2.8"
2	8100846	54209-002	10	LED WORK LIGHT 10W 2025 LUMEN	4"	4"	1"
3	8100281	TL10CB	-	INCANDESCENT 12V ROUND	4.75"	4.75"	2.9"
4	8100198	TL35FS	-	INCANDESCENT 12V 55W TRAPEZOID	5"	3"	2.5"
5	8100283	M588	-	HALOGEN 12V 55-W RAINBOW LENS	3.5"	1.5"	2.625"



DOME LIGHTS								
REF NO.	ITEM NO.	ID NO.	DIODES	DESCRIPTION	LENGTH	HEIGHT	DEPTH	BULB
6	8101238	ILL22CB	18	LED SEALED DOME LIGHT	4.5"	2.875"	1"	-
7	8100935	UCL11CKB	2	LED 3/4" ROUND UTILITY LIGHT	1"	1"	1"	-
8	8101192	UCL55CB	3	LED 2" ROUND UTILITY LIGHT	2"	2"	1"	-
9	8100512	UCL13C2PG	2	LED UTILITY LIGHT	2.5"	1.0625"	.6875"	-
10	8101248	ULL25CTB	300 LM	LED LIGHT STRIP WITH 18" LEAD	6.829"	.5"	.25"	-
11	8100041	RVIL21	-	INCANDESCENT EURO LIGHT - SWITCH	7.078"	4.25"	1.03"	-
12	8100226	IL61CB	-	INCANDESCENT DOME LIGHT - SWITCH	5.875"	5.875"	1.5"	8100029
13	8100257	RVPL7C	-	INCANDESCENT OVAL - SWITCH	6.25"	3.4375"	1.875"	8100029
14	8100037	RVPL3C	-	INCANDESCENT RECTANGULAR - SWITCH	6.375"	3.5"	2.09"	8100029
15	8100253	RVPL1C	-	INCANDESCENT RECTANGULAR	6.375"	3.5"	2.09"	8100029
16	8100116	IL21CB	-	INCANDESCENT INTERIOR - SWITCH	6.829"	.5"	.25"	8100029

LIGHTING • REPLACEMENT LENS =



REPLACEMENT LENS			
REF NO.	ITEM NO.	ID NO.	DESCRIPTION
1	8100156	A9RB	REPLACEMENT SIDE LENS FOR ALL SQUARE SIDE MARKER UNDER 80"
2	8100063	A2RB	REPLACEMENT SIDE LENS FOR ALL SQUARE SIDE MARKER OVER 80"
3	8100151	A8RB	REPLACEMENT LENS FOR 8100389, -0390, -0170, -0191, -0766, -0477, -0478
4	8100481	AL8RB	REPLACEMENT LENS FOR 8100368, -0369, -0365, 0366
5	8100130	A16RB	REPLACEMENT LENS FOR 8100517, -0518
5	8100763	AL16RB	REPLACEMENT LENS FOR 8100195, -0196
6	8100122	A24RB	REPLACEMENT LENS FOR 8100520, -0509
7	8100128	A40RB	REPLACEMENT LENS FOR 8100187
8	8100154	A43RB	REPLACEMENT LENS WITH REFLEX FOR 8100187
9	8100418	A60RB	REPLACEMENT LENS FOR 8100546
10	8100140	A11AB	REPLACEMENT LENS FOR 8100139
11	8100141	A11RB	REPLACEMENT LENS FOR 8100138
12	8100998	A36AB	REPLACEMENT LENS FOR 8100443
13	8100167	A38AB	REPLACEMENT LENS FOR 8100497 - NON LED
14	8100168	A38RB	REPLACEMENT LENS FOR 8100498 - NON LED
15	8100100	A42AB	REPLACEMENT LENS FOR 8100499 - NON LED
16	8100101	A42RB	REPLACEMENT LENS FOR 8100500 - NON LED
17	8100916	A44AB	REPLACEMENT LENS FOR 8100437
18	8100968	A44RB	REPLACEMENT LENS FOR 8100436
19	8100425	A68AB	REPLACEMENT LENS FOR 8100292
20	8100401	A68RB	REPLACEMENT LENS FOR 8100393
21	8101204	APL1CB	REPLACEMENT LENS FOR 8100253, -0037

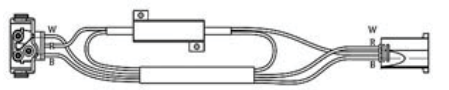
LIGHTING • GROMMETS | PIGTAILS | LIGHT BASES



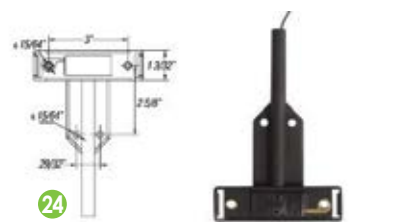
GROMMETS				
REF NO.	ITEM NO.	ID NO.	DESCRIPTION	HOLE CUT-OUT SIZE
1	8100902	A11GB	FITS 3/4" UNI-LITE, CLEARANCE/MARKER & UTILITY	3/4"
2	8100048	150-18	FITS 90/91 SERIES MINI LIGHT, FLUSH MOUNT	2-7/8" X 1-1/2"
3	8100382	A54GB	FITS 2" ROUND LIGHT, FLUSH MOUNT, OPEN BACK	2-15/16"
4	8100457	A55GB	FITS 2.5" ROUND LIGHT, FLUSH MOUNT, OPEN BACK	3"
5	8101118	A57GB	FITS 2.5" ROUND LIGHT, RECESSED MOUNT, OPEN BACK	2-3/4"
6	8100430	A45GB	FITS 4" ROUND LIGHT, FLUSH MOUNT	4-1/2"
7	8100387	A70GB	FITS 6.5" OVAL TAIL LIGHT, FLUSH MOUNT	6-27/32" X 2-1/2" 1.25 RADIUS
8	8100523	A33GB	FITS ST33 SERIES RECTANGLE, FLUSH MOUNT LIGHTS	5-15/32" X 3-9/16" - 1" RADIUS
-	8100049	A54GK	8100382 2" FLUSH GROMMET WITH 8100383 PIGTAIL	-
-	8100204	A55GK	8100457 2.5" FLUSH GROMMET WITH 8100383 PIGTAIL	-
-	8100249	A57GK	8101118 2.5" RECESSED GROMMET WITH 8100383 PIGTAIL	-



PIGTAILS				
REF NO.	ITEM NO.	ID NO.	DESCRIPTION	
9	8100001	A91LW	1-WIRE PLUG - 12" LEAD	
10	8100383	A46PB	2-WIRE PLUG - 6" LEAD	
11	8100388	A45PB	STRAIGHT PL-3 PIGTAIL 10"	
12	8100403	A45CB	STRAIGHT 2-WIRE PIGTAIL 10"	
13	8100532	A47PB	RIGHT ANGLE PL-3 PIGTAIL 10"	
14	8100404	A49PB	RIGHT ANGLE 2-WIRE PIGTAIL 10"	
15	8101425	-	LED FLASH RESISTOR 12V / 50W / 6Ω	

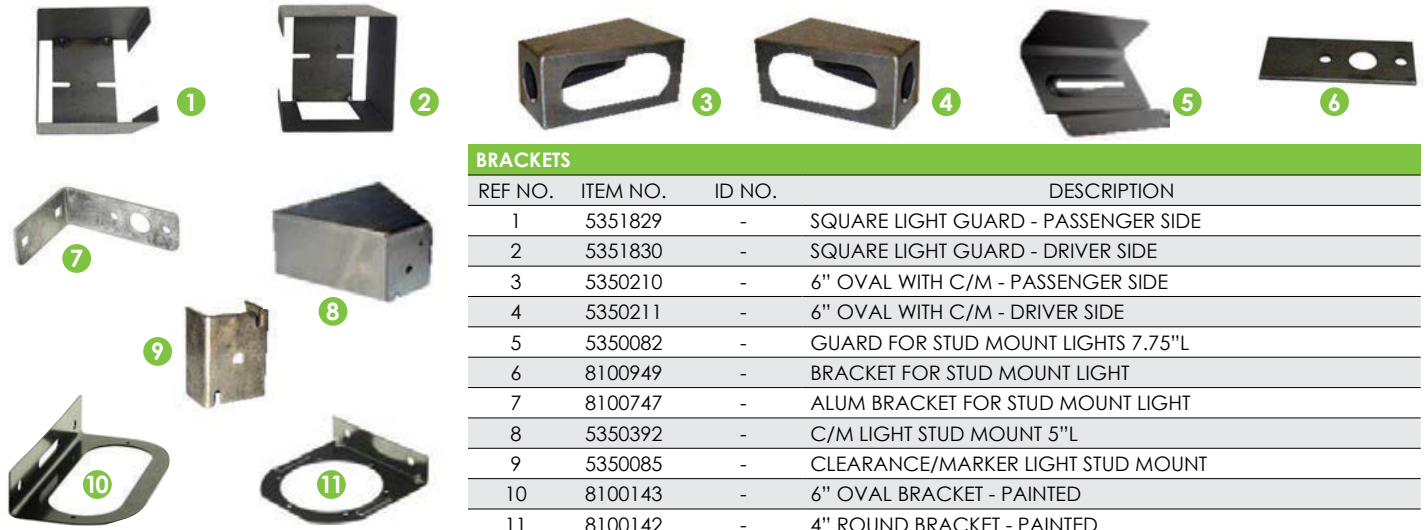


LIGHT BASES				
REF NO.	ITEM NO.	ID NO.	DESCRIPTION	
16	8100015	A65PB	BLACK BRACKET & SINGLE WIRE PLUG	
17	8100014	A66PB	GREY BRACKET & SINGLE WIRE PLUG	
18	8100031	A65PBP	BLACK BRACKET & SINGLE WIRE .180 BULLET PLUG	
19	8100285	A67CB	CHROME BRACKET & SINGLE WIRE WITH 12" LEAD	
20	8100018	A91CB	CHROME BASE - SELF GROUNDING	
21	8100017	A91OB	CHROME BASE - OPEN BACK	
22	8100463	A91BB	BLACK BASE - SELF GROUNDING	
23	8100764	BK53BB	2" SURFACE MOUNT DEFLECTOR BRACKET	
24	8100811	A67BB	FENDER BRACKET SINGLE WIRE BLK	



LIGHTING • GROMMETS | PIGTAILS | LIGHT BASES

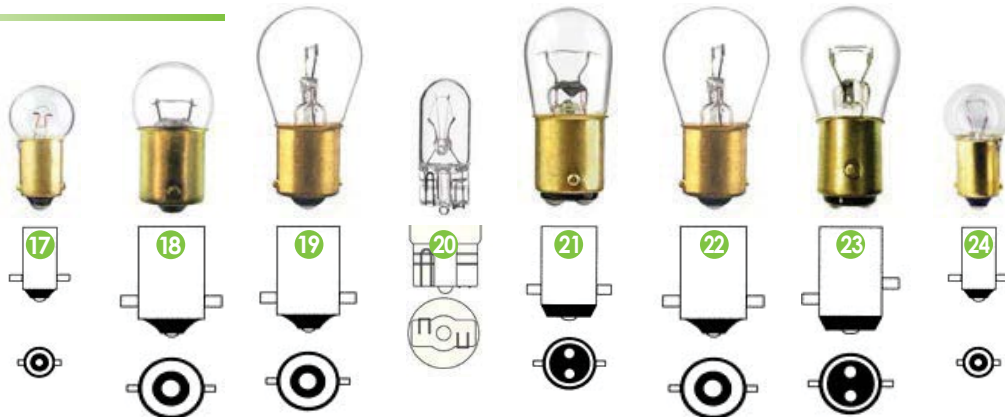
LIGHTING • BRACKETS | SPECIALTY | BULBS



BRACKETS			
REF NO.	ITEM NO.	ID NO.	DESCRIPTION
1	5351829	-	SQUARE LIGHT GUARD - PASSENGER SIDE
2	5351830	-	SQUARE LIGHT GUARD - DRIVER SIDE
3	5350210	-	6" OVAL WITH C/M - PASSENGER SIDE
4	5350211	-	6" OVAL WITH C/M - DRIVER SIDE
5	5350082	-	GUARD FOR STUD MOUNT LIGHTS 7.75"L
6	8100949	-	BRACKET FOR STUD MOUNT LIGHT
7	8100747	-	ALUM BRACKET FOR STUD MOUNT LIGHT
8	5350392	-	C/M LIGHT STUD MOUNT 5"L
9	5350085	-	CLEARANCE/MARKER LIGHT STUD MOUNT
10	8100143	-	6" OVAL BRACKET - PAINTED
11	8100142	-	4" ROUND BRACKET - PAINTED



SPECIALTY			
REF NO.	ITEM NO.	ID NO.	DESCRIPTION
12	8101449	RBL10CA	12 DIODE LED DUAL FUNCTION STROBE/FLASHER AMBER
13	8400525	46	ROUND PERMIT HOLDER
14	8400620	520110	DOCUMENT HOLDER STAINLESS STEEL
15	8101132	TRI	TRIANGLE SAFETY KIT NO. 3EA WITH CASE
16	8100197	TLL2IRK	6" DIODE LED MAGNET BASE WITH WIRING HARNESS



BULBS								
REF NO.	ITEM NO.	ID NO.	DESCRIPTION	LENGTH	DIA.	BASE	AVG LIFE	
17	8100410	57	BAYONET 14V .24 AMP 25 LUMEN	1.07"	.59"	BA9S	500 HRS	
18	8100413	67	BAYONET 13.5V .59 AMP 50 LUMEN	1.44"	.75"	BA15S	5000 HRS	
19	8100412	93	BAYONET 12.8V 1 AMP 190 LUMEN	2"	1.04"	BA15S	700 HRS	
20	8100025	194	WEDGE 14V .27 AMP 25 LUMEN	1.06"	.40"	T3.25	2500 HRS	
21	8100021	1004	BAYONET 12.8V .94 AMPS 190 LUMEN	1.75"	.75"	BA15D	200 HRS	
22	8100029	1156	BAYONET 12.8V 2.1 AMP 400 LUMEN	2"	1.04"	BA15S	1200 HRS	
23	8100026	1157	BAYONET 12.8/14V 2.1 AMP	2"	1.04"	BAY15D	1200 HRS	
24	8100201	1895	BAYONET 14V .27 AMP 25 LUMEN	1.06"	.55"	BA9S	2000 HRS	

LIGHTING • BRACKETS | SPECIALTY | BULBS

NEVER LOOK BACK

BACKUP CAMERA KITS



FEATURES:

- Hi Resolution CMOS Sensor
- 170 Degree Viewing Angle
- IP67 Waterproof / Dustproof And Anti-fog
- Removable Distance Markers
- Dual Mount Design

Backup Camera Kits For Vehicles With Or Without Factory Installed Systems

#7180622 - 2010-2013 GMC Sierra and Chevrolet Silverado & 2010 – 2014 HD series trucks with a factory installed backup camera relies on the factory camera harness to operate.

#7180623 – 2008-2016 Ford Super Duty F Series Trucks with a factory installed backup camera, relies on the factory camera harness to operate.

#7180624 – All Dodge Ram vehicles equipped with a factory installed backup camera. Must be manually spliced into factory camera harness.

#7180603 – Universal Kit, for vehicles without factory installed backup camera. Kit includes full chassis harness, 5" monitor & license plate mounted camera.



The Reflective Tape You Choose Matters

Features

Low temperature adhesive can be applied in cold weather.

Initial repositionability allows correction of application errors.

Reflectivity is not compromised when surface of tape is damaged.

Tape does not require edge sealing.

Water and debris cannot penetrate the tape.

Available in Kiss Cut or Continuous Roll, 6"/6" or 7"/11"



Brand your Tape!

You can have your company logo, name or phone number put on your conspicuity tape.

***No Set-up Fee**

***Low 20 Roll Minimum**

***Kiss Cut or Continuous**

***6"/6" or 7"/11"**

It has the same great quality you've come to expect from our tape.

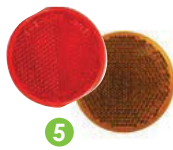
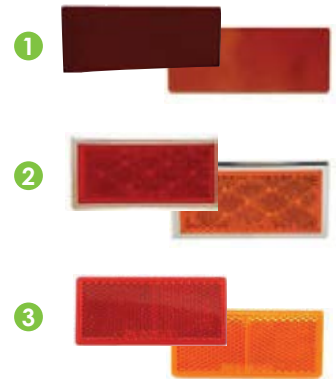
Takes 6-8 weeks for initial set-up process. Standard lead times apply on all subsequent orders.



Choose Avery Dennison® for superior reflectivity

LIGHTING • REFLECTORS & CONSPICUITY TAPE

RED			REFLECTORS	AMBER	
REF NO.	ITEM NO.	ID NO.	DESCRIPTION	ITEM NO.	ID NO.
1	8100159	B491R	RECTANGULAR, SELF ADHESIVE 4-5/16" X 1-11/16"	8100158	B491A
2	8100718	B484R	RECTANGULAR, SELF ADHESIVE 3-7/16" X 1-11/16"	8100717	B484A
3	8100272	RE10RB	RECTANGULAR, SELF ADHESIVE 3-3/16" X 1-7/16"	8100273	RE10AB
4	8100224	RE11RB	OBLONG, SELF ADHESIVE 4-7/16" X 1-15/16"	8100225	RE11AB
5	8100208	RE37RB	2" ROUND, SELF ADHESIVE	8100205	RE37AB
6	8100207	RE13RB	3" ROUND, CENTER MOUNT	8100206	RE13AB
7	8100223	RE21RB	3" ROUND, SELF ADHESIVE	8100222	RE21AB
8	8100163	RE31RS	3" ALUMINUM, SCREW MOUNT	8100160	RE31AS
9	8100220	B460R	3.25" STEEL, SCREW MOUNT	8100221	B460A



CONSPICUITY TAPE		
ITEM NO.	WARRANTY	DESCRIPTION
8100307	5-YEAR	6" RED / 6" WHITE CONTINUOUS ROLL 150'
8100306	5-YEAR	6" RED / 6" WHITE PERFORATED ROLL 150'
8100302	5-YEAR	7" RED / 11" WHITE PERFORATED ROLL 150'
8100301	5-YEAR	7" RED / 11" WHITE SINGLE 18" STRIPS



Advertise your company with your OWN personalized logo tape.

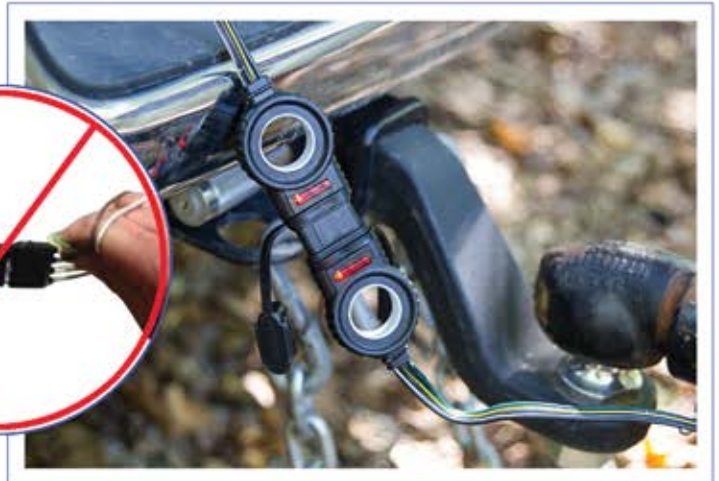
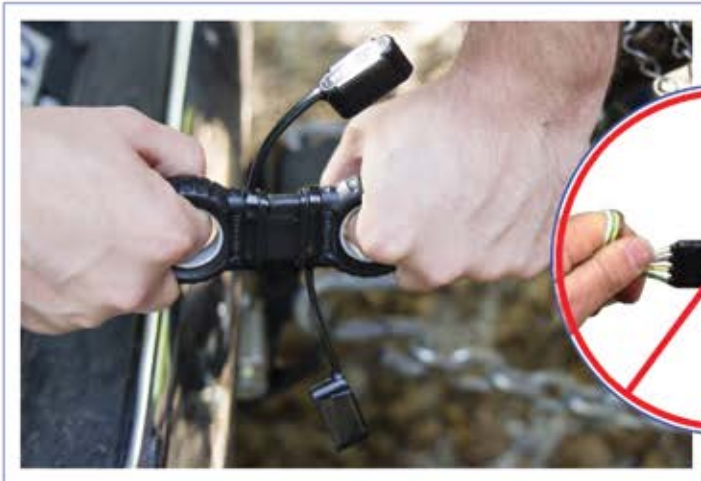


- 20 roll minimum, one delivery and one payment.
- Ask a sales Associate for details.
- 6 week lead time once graphic is approved.

CONSPICUITY TAPE • PERSONALIZED		
ITEM NO.	WARRANTY	DESCRIPTION
8100307-XX	5-YEAR	6" RED / 6" WHITE CONTINUOUS ROLL 150'
8100306-XX	5-YEAR	6" RED / 6" WHITE PERFORATED ROLL 150'



Easy-Pull Flat Trailer Connector



FEATURES;

- Large finger grips eliminate the need to wiggle the wires back and forth or wrap the wires around your hand to disconnect causing damage to the wiring and terminals.
- No more skinned knuckles from fingers slipping when connecting.
- Large grips reduce wear on the wiring from spring loaded lids on vehicle sockets.
- Corrosion resistant terminals.
- Available with or without LED testers.
- All retail packaged items include cover and terminal grease*

4 WAY FLAT TRAILER END

7001250 WITH 12" LEAD

7001250-02 WITH 12" LEAD*

7001251 WITH 48" LEAD

7001247 WITH LED TESTER & 12" LEAD*

4 WAY FLAT TRAILER END WITH JACKETED WIRES

7001252 WITH 12" LEAD

7001253 WITH 48" LEAD

4 WAY FLAT EXTENSIONS

7001243 WITH 24" LEAD AND EASY PULL ON BOTH ENDS*

7001244 WITH 48" LEAD AND EASY PULL ON BOTH ENDS*

7001248 WITH LED TESTER, 12" LEAD AND EASY PULL ON 1 END*